

# Hybrid workshops on the initial report and the draft agreed electronic format

## Draft version of the agreed electronic format

24-26 April 2023



# The agreed electronic format (AEF) mandate



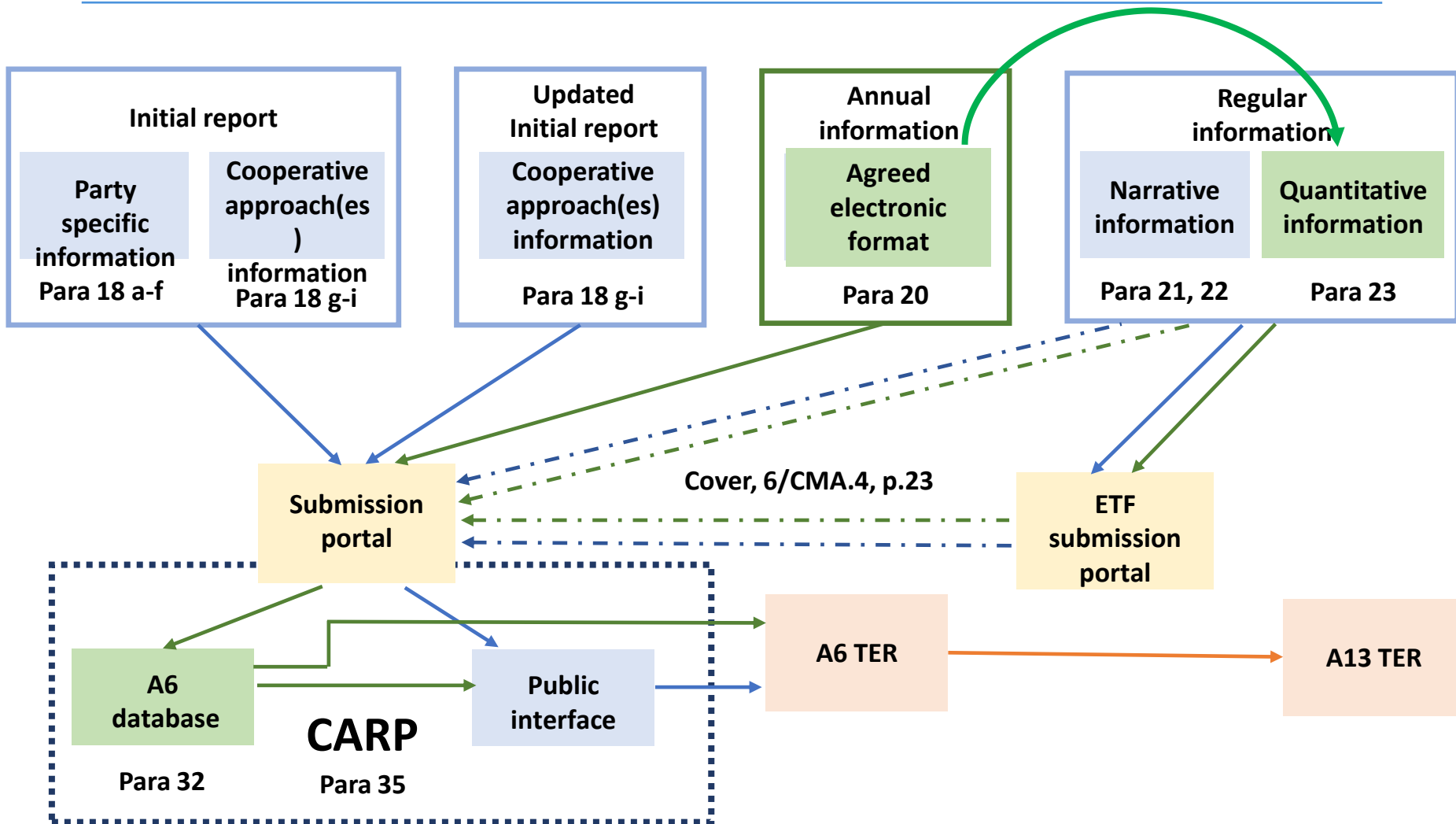
## The agreed electronic format – what is it?

---

- The agreed electronic format:
  - Is the reporting format for the submission of **disaggregated quantitative information on ITMOs** resulting from the cooperation Parties undertake through Article 6.2 and Article 6.4
  - Is a format that is electronic in nature, meaning **it captures digital information** in a non-specified format or formats that are machine readable
  - Includes **agreed contents**



# Article 6 reporting overview



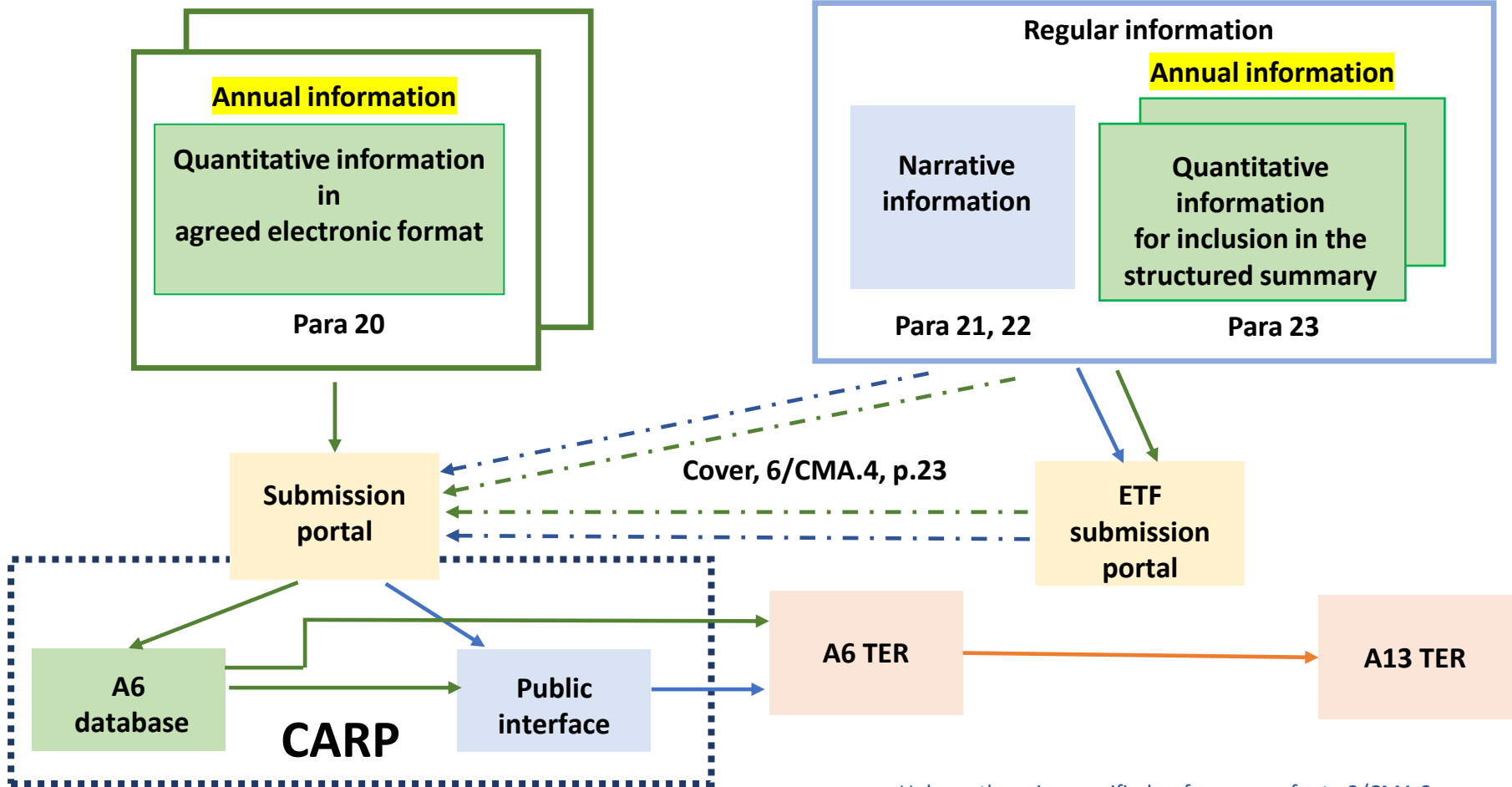
Unless otherwise specified, references refer to 2/CMA.3



# Article 6 reporting overview

No later than 15 April of the following year  
(annually)

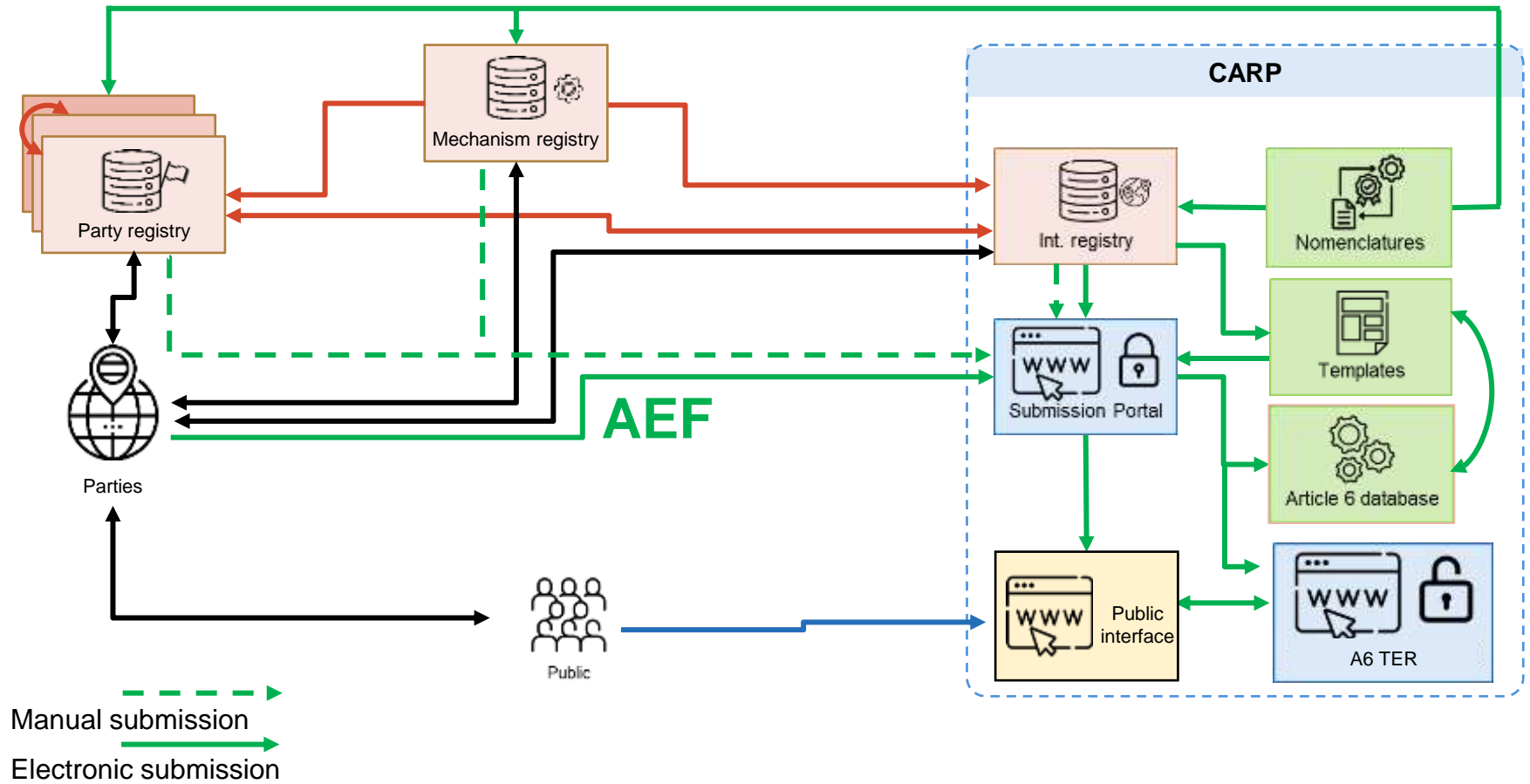
With Article 13 BTR  
(biennially)



Unless otherwise specified, references refer to 2/CMA.3



# Infrastructure overview



# The agreed electronic format – contents

---

The data in the AEF can be classified as pertaining to 3 categories:

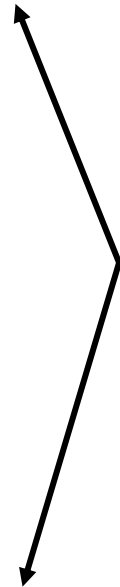
## **ACTIONS (20.a)**

- Authorization of ITMOs for use towards achievement of NDCs
- Authorization of ITMOs for use towards OIMP
- First transfer
- Transfer
- Acquisition
- Cancellation
- Voluntary cancellation
- Voluntary cancellation of mitigation outcomes or ITMOs towards OMGE
- Use towards NDCs

## **HOLDINGS (20.a)**

## **ITMO DESCRIPTION (20.b)**

- The cooperative approach
- The other international mitigation purpose authorized by the Party
- The first transferring participating Party
- The using participating Party or authorized entity or entities, as soon as known
- The year in which the mitigation occurred
- The sector(s) and activity type(s)
- The unique identifiers



**The DRAFT VERSION  
of the agreed electronic format**





## The draft agreed electronic format – annex VII of decision 6/CMA.4

### Annex VII\*

#### Draft version of the agreed electronic format referred to in decision 2/CMA.3, annex, chapter IV.B (Annual information)

[English only]

Draft version of the agreed electronic format is available digitally at <https://unfccc.int/documents/624366>.

*{Required fields are in bold}*

**Table 1: Heading**

<b>Party</b>	Party
<b>Reported year</b>	Year

\* The annual period from 1 January to 31 December during which actions occurred.

**Table 2: Actions**

Article 6 database record ID	ITMO											
	Unique identifier					Metric and quantity			ITMO details			
	Cooperative approach <sup>a</sup>	First unique identifier <sup>b</sup>	Last unique identifier <sup>c</sup>	Underlying unit block start ID <sup>d</sup>	Underlying unit block end <sup>e</sup>	Metric <sup>f</sup>	Quantity (expressed in metric) <sup>g</sup>	Quantity (t CO <sub>2</sub> eq)	Conversion factor (reporting Party) <sup>h</sup>	First transferring Party <sup>i</sup>	Vintage <sup>j</sup>	Sector(s) <sup>k</sup>
Cooperative approach Article 6.4 mechanism												Energy IPPU AFOLU Waste



# Article 6.2 work-programme on the AEF

- The AEF will inform:
  - The design of the Article 6 database, including the automation of the completeness checks
  - The registries' capabilities
- Parties have also agreed to look at the linked issues:
  - Sequencing in the reporting and review cycle, and
  - The process of identifying, notifying and correcting inconsistencies in data

