



GLOBAL ENVIRONMENT FACILITY
INVESTING IN OUR PLANET

www.theGEF.org

Supporting capacity-building needs of developing countries – *GEF Experience*

First Meeting of the
Paris Committee on Capacity-building (PCCB)
Bonn, Germany

Chizuru Aoki
May 12, 2017

GEF Experience on Capacity Building

- Key theme in GEF support
- Embedded in mitigation and adaptation project design
- Various opportunities to assist countries to enhance capacity
- Implementation, thematic, transparency, planning and reporting, access to support, platforms for cross-learning with stakeholders, across Conventions...



GLOBAL ENVIRONMENT FACILITY
INVESTING IN OUR PLANET

Examples of Support Modalities

Integrated in climate change projects and programs

Enabling Activities and Convention Obligations

Capacity-building Initiative for Transparency (CBIT)

Cross-Cutting Capacity Development (across Conventions)

Climate capacity support:

2015: \$189 million for 85 projects

2016: \$217 million for 135 projects



GLOBAL ENVIRONMENT FACILITY
INVESTING IN OUR PLANET

NDCs and Paris Agreement Implementation

- NDCs

- Proposals requested to include NDC relevance and capacity and institutional support
 - Example of capacity support: Barrier Removal for Achieving the National Energy Road Map Targets of Vanuatu
- Support for NDC enhancement
- Global Support Program

- Paris Agreement

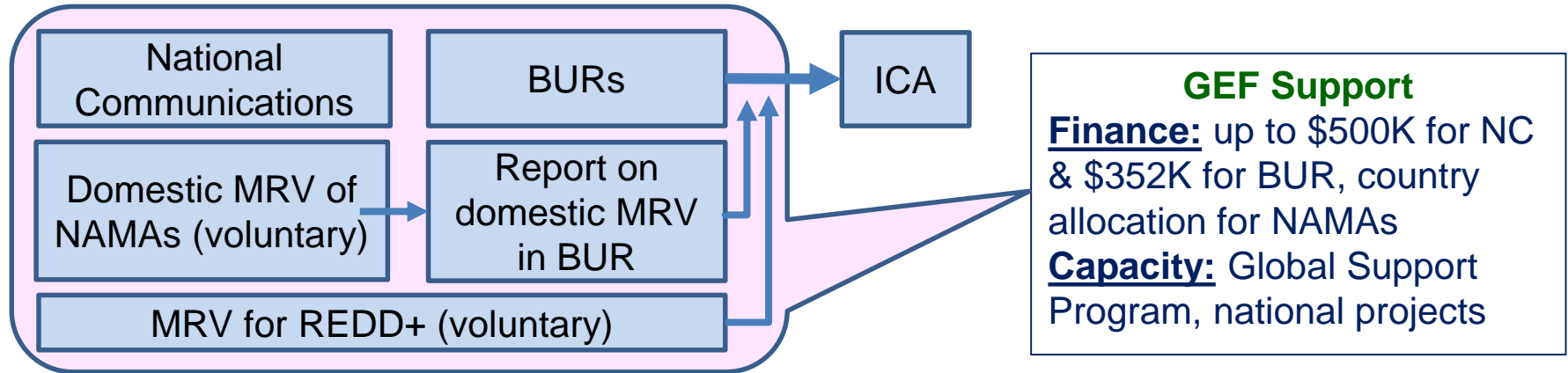
- CBIT open for business!



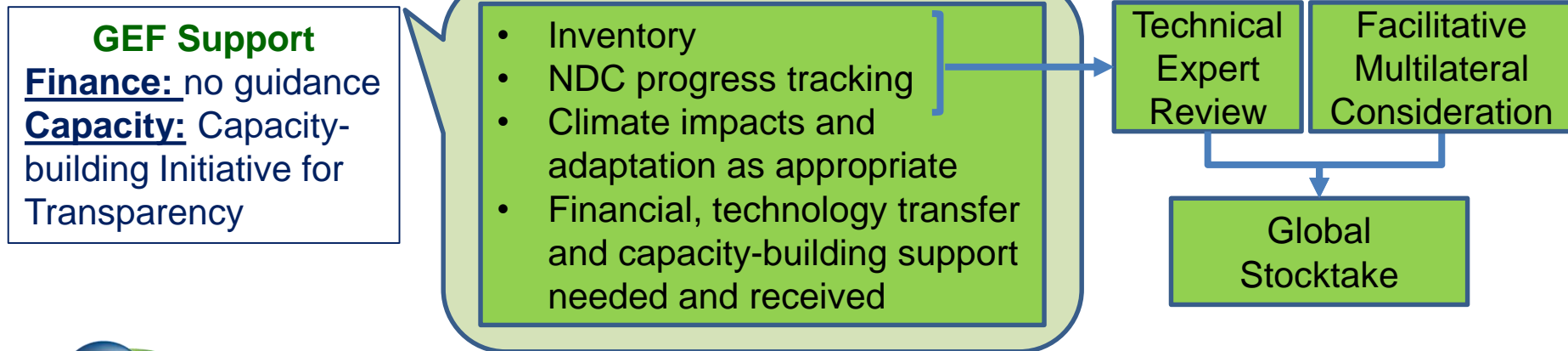
GLOBAL ENVIRONMENT FACILITY
INVESTING IN OUR PLANET

GEF support for MRV and Transparency

MRV



Transparency



CBIT Update

- Established in response to Paris Agreement decision
- Donors pledged over \$55 million for November 2016-June 2018
- 5 national projects and 1 global component approved so far – Costa Rica, Kenya, South Africa, Uganda, and Uruguay
- Collaboration with other actors and initiatives
 - ICAT, Coalition on Paris Agreement Capacity Building, Partnership on Transparency...



GLOBAL ENVIRONMENT FACILITY
INVESTING IN OUR PLANET

Collaboration Example from the Sustainable Cities IAP Program

Global Platform for Sustainable Cities (GPSC)



Partnership Committee

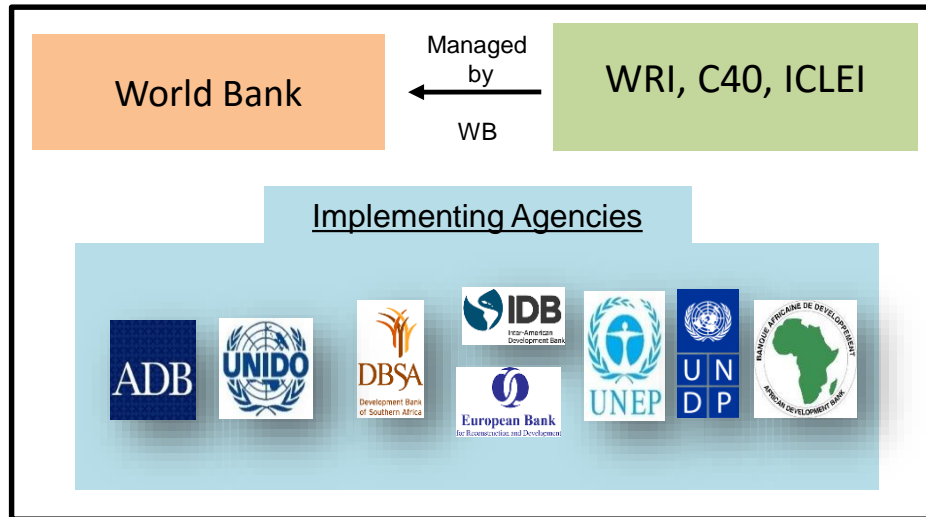
- Convene once a year in conjunction with GPSC global meetings
- Members: Implementing Agencies, Resource Team, GEF, WB
- Main functions: to provide strategic guidance/identify opportunities for collaboration.

National Platform

Brazil, China, Cote d'Ivoire, India, Malaysia, Mexico, Paraguay, Peru, Senegal, South Africa, Viet Nam

Sub-national Partners

California
others



IFIs

MDBs (AfDB, ADB, IDB, EBRD, EIB, WB)
Regional Banks (CAF, Islamic Development Bank, AIIB, Nordic Investment Bank)
National Banks

Partner Orgs

International: UNHabitat, City Alliance, etc.
Regional: Nordic City Initiative,
Domestic: TERI, etc.



GLOBAL ENVIRONMENT FACILITY
INVESTING IN OUR PLANET

Thank you for your attention
Any questions?



www.thegef.org/topics/capacity-building-initiative-transparency-cbit



GLOBAL ENVIRONMENT FACILITY
INVESTING IN OUR PLANET

Aims of the CBIT

Paris Decision (Paragraph 85)

1. To strengthen national institutions for transparency-related activities in line with national priorities;
2. To provide relevant tools, training and assistance for meeting the provisions stipulated in Article 13 of the Agreement; and
3. To assist in the improvement of transparency over time.

